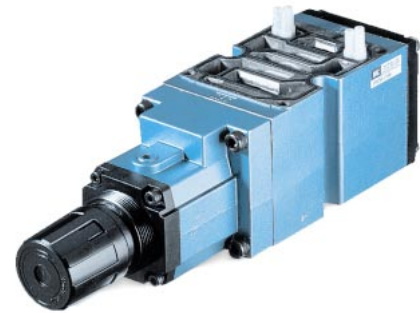


Sandwich pressure regulator with manual adjust.

OPERATIONAL BENEFITS

1. Easy mounting : saves on installation costs in comparison with inline regulators.
2. Allows to have compact, all-included units.
3. Large orifice provides high flow.
4. Various functions available.
5. Simple, reliable and solid design.



HOW TO ORDER

Reset

REGULATORS FOR "PLUG-IN" VALVES

Gauges	Single pressure Regulator A end Same regulated pressure to ports A and B	Single pressure Regulator B end Same regulated pressure to ports A and B	Dual pressure Regulator A end Regulated pressure to port B *	Dual pressure Regulator B end Regulated pressure to port A *	Dual pressure Dual regulator Two regulated pressures to ports A and B *
No gauge	PR65B-22AA	PR65B-21AA	PR65B-24AA	PR65B-23AA	PR65B-25AA
Glycerine filled gauge on regulator	PR65B-22BA	PR65B-21BA	PR65B-24BA	PR65B-23BA	PR65B-25BA
Glycerine filled gauge opposite to regulator	PR65B-22CA	PR65B-21CA	PR65B-24CA	PR65B-23CA	PR65B-25CA
Glycerine filled gauges both ends	-----	-----	PR65B-24DA	PR65B-23DA	PR65B-25DA

REGULATORS FOR "NON PLUG-IN" AND REMOTE AIR VALVES

Gauges	Single pressure Regulator A end Same regulated pressure to ports A and B	Single pressure Regulator B end Same regulated pressure to ports A and B	Dual pressure Regulator A end Regulated pressure to port B *	Dual pressure Regulator B end Regulated pressure to port A *	Dual pressure Dual regulator Two regulated pressures to ports A and B *
No gauge	PR65B-32AA	PR65B-31AA	PR65B-34AA	PR65B-33AA	PR65B-35AA
Glycerine filled gauge on regulator	PR65B-32BA	PR65B-31BA	PR65B-34BA	PR65B-33BA	PR65B-35BA
Glycerine filled gauge opposite to regulator	PR65B-32CA	PR65B-31CA	PR65B-34CA	PR65B-33CA	PR65B-35CA
Glycerine filled gauges both ends	-----	-----	PR65B-34DA	PR65B-33DA	PR65B-35DA

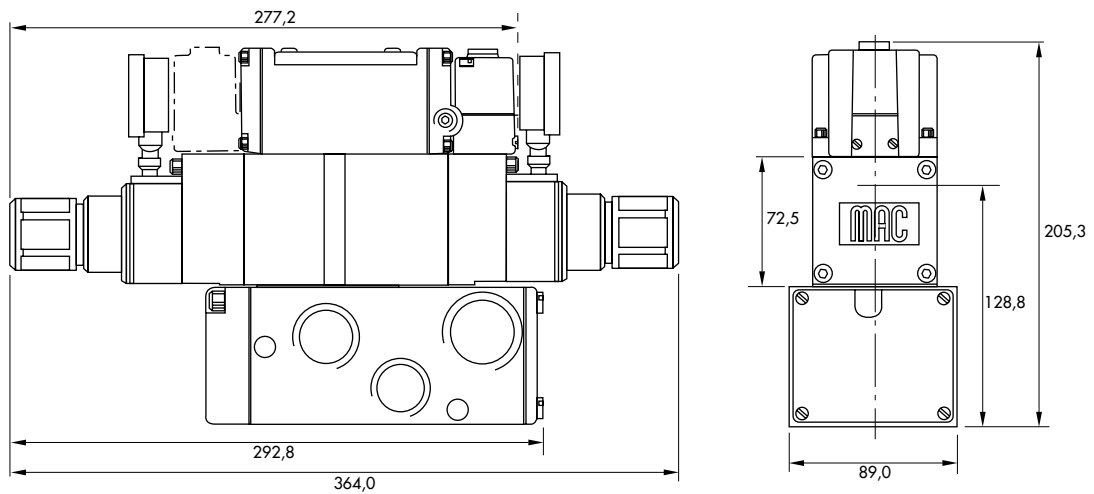
* To be used with dual pressure valves.

**TECHNICAL
DATA**

Fluid :	Compressed air, inert gases
Pressure range :	0 to 10 bar
Regulating range :	0.5 to 8.5 bar
Lubrication :	Not required, if used select a medium aniline point lubricant (between 80°C and 100°C)
Filtration :	40 µ
Temperature range :	-18°C to +50°C
Flow (at 6 bar, ΔP=1bar) :	4000 NI/min (C _v 4.0)

Spare parts : • Pressure regulator : PR65B-01AA.

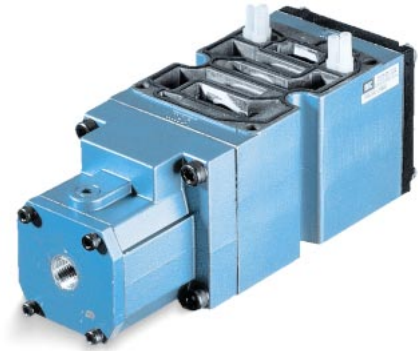
DIMENSIONS



Sandwich pressure regulator with air adjust.

OPERATIONAL BENEFITS

1. Easy mounting : saves on installation costs in comparison with inline regulators.
2. Allows to have compact, all-included units.
3. Large orifice provides high flow.
4. Various functions available.
5. Simple, reliable and solid design.



HOW TO ORDER

Reset

REGULATORS FOR "PLUG-IN" VALVES

Gauges	Single pressure Regulator A end Same regulated pressure to ports A and B	Single pressure Regulator B end Same regulated pressure to ports A and B	Dual pressure Regulator A end Regulated pressure to port B *	Dual pressure Regulator B end Regulated pressure to port A *	Dual pressure Dual regulator Two regulated pressures to ports A and B *
No gauge	PR65B-2BAA	PR65B-2AAA	PR65B-2DAA	PR65B-2CAA	PR65B-2EAA
Glycerine filled gauge on regulator	PR65B-2BBA	PR65B-2ABA	PR65B-2DBA	PR65B-2CBA	PR65B-2EBA
Glycerine filled gauge opposite to regulator	PR65B-2BCA	PR65B-2ACA	PR65B-2DCA	PR65B-2CCA	PR65B-2ECA
Glycerine filled gauges both ends	-----	-----	PR65B-2DDA	PR65B-2CDA	PR65B-2EDA

REGULATORS FOR "NON PLUG-IN" AND REMOTE AIR VALVES

Gauges	Single pressure Regulator A end Same regulated pressure to ports A and B	Single pressure Regulator B end Same regulated pressure to ports A and B	Dual pressure Regulator A end Regulated pressure to port B *	Dual pressure Regulator B end Regulated pressure to port A *	Dual pressure Dual regulator Two regulated pressures to ports A and B *
No gauge	PR65B-3BAA	PR65B-3AAA	PR65B-3DAA	PR65B-3CAA	PR65B-3EAA
Glycerine filled gauge on regulator	PR65B-3BBA	PR65B-3ABA	PR65B-3DBA	PR65B-3CBA	PR65B-3EBA
Glycerine filled gauge opposite to regulator	PR65B-3BCA	PR65B-3ACA	PR65B-3DCA	PR65B-3CCA	PR65B-3ECA
Glycerine filled gauges both ends	-----	-----	PR65B-3DDA	PR65B-3CDA	PR65B-3EDA

* To be used with dual pressure valves.

**TECHNICAL
DATA**

Fluid :	Compressed air, inert gases
Pressure range :	0 to 10 bar
Regulating range :	0.5 to 8.5 bar
Lubrication :	Not required, if used select a medium aniline point lubricant (between 80°C and 100°C)
Filtration :	40 µ
Temperature range :	-18°C to +50°C
Flow (at 6 bar, ΔP=1bar) :	4000 NI/min (C _v 4.0)

Spare parts : • Pressure regulator : PR65B-OAAA.

DIMENSIONS

